

## 36 Built-In Bottom Mount Panel Ready Professional Series



### **REF36PRR**

Bertazzoni built-in refrigerators are designed, engineered and made in Italy with the highest grade materials and components. The proprietary 'lift & swing' door hinge system makes them the ideal choice for true flush installation as a single unit or side-by-side. These refrigerators integrate seamlessly with all other Bertazzoni appliances into style-harmonized suites for a true, high-performing kitchen.

These built-in refrigerators are built to last forever, employing metal and glass inside and out for better temperature management. The lateral airflow system, with dual compressor and evaporator for refrigerator and freezer, reduces cold air loss when opening doors and allows for category-leading interior depth. The internal configuration is designed for maximum flexibility, with 14 cubic feet of refrigerator volume and 3.7 cubic feet of FlexMode volume. The FlexMode Refrigerator-Freezer allows to switch the bottom compartment between freezer and refrigerator with one touch. Interior LED lighting on top and side provide bright interior illumination on all levels with minimal energy consumption. Integrated water filter connected to water line ensures regular production of ice cubes of customizable size. Replacement water filters are available for purchase [here](#)

All Bertazzoni appliances are covered by a 2-year warranty. Products and packaging are 99% recyclable. 

# Specifications

## Features

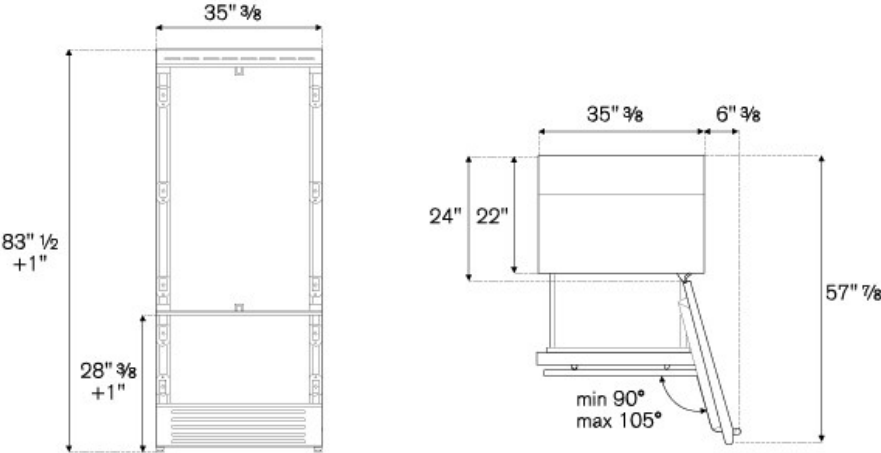
### Refrigerator

Size	36"
Style	Bottom mount
Installation type	Built-in
Finishing	White aluminium interior
Interface	Digital display inside
Illumination	6 LED lights recessed into refrigerator ceiling, 5 side wall f
Icemaker	yes
Shelves	2
Drawer refrigerator	2
Drawers FlexMode	2
Options	Max Cool Fridge, Vacation, Beverage Cooler, SuperIce, Ice
Certification	ETL
DOE compliant	yes
Door storage compartment	3 full-width racks
Refrigerator capacity	14.00 cu.ft <sup>3</sup>
FlexMode capacity	3.7 cu.ft <sup>3</sup>

### Technical specifications

Electrical requirements	115 V - 60 Hz - 4.8 A
-------------------------	-----------------------

# Dimensions



+1" for the adjustable max height of the leveling feet