

## 24 inch Dishwasher Tall Tub with Stainless Steel Panel and Bar Handle, 16 place settings, 39 dB, 8 wash cycles Professional Series



### DW24T3IXT

This stainless steel tall tub dishwasher is the quietest model and largest loading capacity ever offered by Bertazzoni. It offers superb cleaning performance with 3 spray arms and a DirectWash zone to remove tough deposits. Loads up to 16 place settings and it is equipped with 3 racks: a cutlery tray, a convenient height-adjustable loaded on 3 levels middle rack and a folding tines lower rack. Select one of the 8 available wash cycles and 7 wash options through the concealed multi-button interface. This dishwasher is perfectly insulated and virtually inaudible at 39 dB(A) with optional Stealth mode.

All Bertazzoni dishwashers are designed and engineered with the highest grade materials and components. Using one of the 3 available handle kits in Professional, Master and Heritage Series style, this dishwasher with stainless steel panel integrates seamlessly with all other Bertazzoni appliances into style-harmonized suites for a true, high-performing kitchen.

This dishwasher is Energy Star rated. Certified by the National Sanitation Foundation for eliminating 99.99 percent of most common household bacteria.

[Guarda online](#)

# Specifications

## Features

### General features

Size	24 in
Place setting	16
Controls	concealed multi-button
Interior finish	stainless steel
User interface	LED display
Spray arms	3 + DirectWash zone
Number of racks	3
Cutlery basket	sliding
Wash cycle	8 - auto, crystal and china, normal plus, pots and pans, quick, regular, rinse and hold, soak and wash
Wash Options	7 - accel, extra dry, delay start, 3 half load modes, sanitize, scrub, stealth
Delayed start	yes
Lighting	1 LED light for tub illumination + floor projection status light
Drying system	PowerDry Plus
Overflow protection device	yes
Filter system	triple stage metal filter
Water softener	yes
Certification	CEC, NSF, UL

### Technical specifications

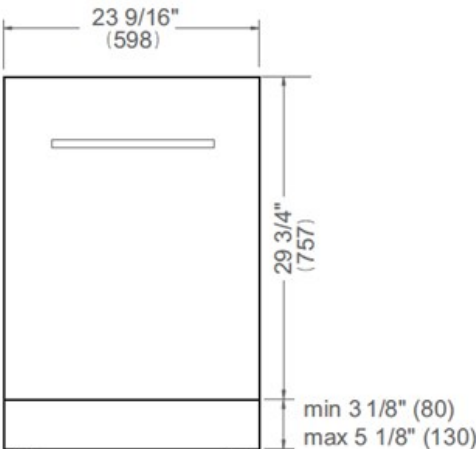
Electrical supply	120 V - 60 Hz - 12 A
Power rating	1400 W
Energy consumption	234 kWh

---

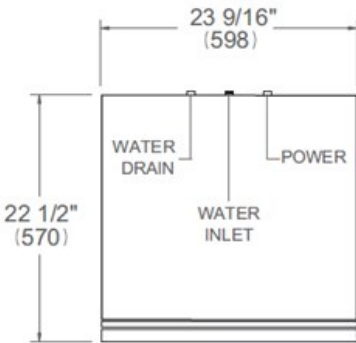
# Dimensions

---

FRONT VIEW



TOP VIEW



Drain hose and toe kick are provided with the unit